

750W variable focus PAR



Specifications

Variable Focus Wash luminaire

- Physical**
 - Die-cast aluminium construction
 - Thermally insulated, precision focus knob
 - Sealed reflector housing
 - Reflector temperature control through integral heat sink fins
 - Integral die cast colour frame / accessory holders and top mounted retainer
 - Positive locking yoke clutch
- Electrical**
 - 230-240V, 50Hz
 - High temperature 3-conductor cable in a silicon rubber outer sleeve
 - CE approved
- Lamp**
 - 750W maximum
 - HPL — compact tungsten filament lamp
 - Patented filament geometry makes for extremely efficient light collection and transmission
 - Integral die-cast aluminium heat sink lamp base
- Lenses**
 - Patented wave lens system
 - One fixed wave clear lens and one rotatable wave stippled lens installed
 - Tool free front lens changing
- Optical**
 - Modified parabolic and multifaceted reflector
 - Computer designed reflector facets moulded directly into heat sink casting, finished with an enhanced aluminium deposition process, and polished for maximum reflectance

Ordering information

Source Four PARnel

Part No	Description
7061A1207 - 0X	Source Four PARnel (black)
7061A1207 - 1X	Source Four PARnel (white)

ETC Source Four PARnels are supplied with colour frame and cable to bare ends

Source Four PARnel Accessories

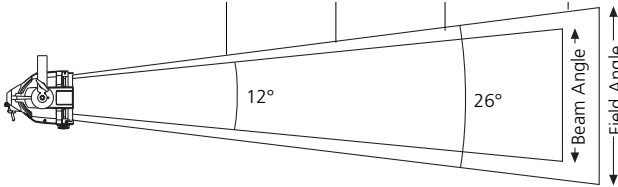
Part No	Description
PSF1019	Barn door
7060A1022	Safety cable 800mm
7060A1020	Colour frame 190 x 190mm (included)
PSF1027	Half hat 190 x 190 x 152mm
PSF1031	Concentric louvre 190 x 190 x 51mm
PSF1030	Colour extender short, 190 x 190 x 76mm
PSF1029	Colour extender long, 190 x 190 x 152mm
PSF1028	Honeycomb louvre 190 x 190 x 13mm

Note: For colours other than black or white and for the full range of Source Four accessories available please contact ETC Europe or your local dealer

Photometric/Physical Data

PARnel Spot 25°

Distance (m)	6.0	9.0	12.0	15.0
Field Diameter (m)	2.8	4.1	5.5	6.9
Illumination 230V (lux)	3806	1691	951	609
Illumination 240V (lux)	3222	1432	806	516

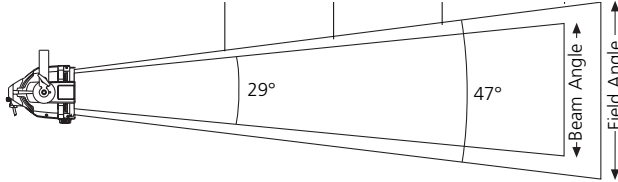


For Field diameter at any distance, multiply distance by 0.46
For Beam diameter at any distance, multiply distance by 0.21

W/V	Candlepower	Field Lumens	Efficacy LPW	Efficiency %
750/230	137,000	7,710	10.3	39.7
750/240	116,000	5,270	7.0	27.2

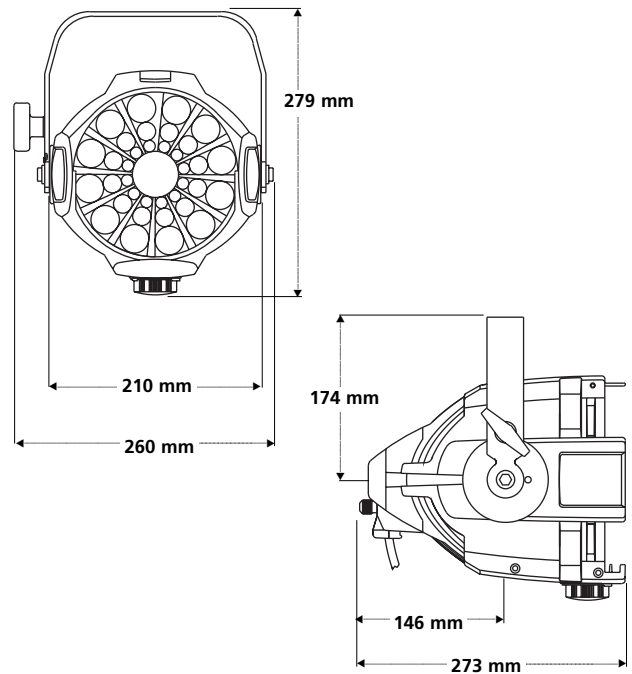
PARnel Flood 50°

Distance (m)	3.0	4.5	6.0	8.0
Field Diameter (m)	2.6	3.9	5.2	7.0
Illumination 230V (lux)	3778	1679	944	531
Illumination 240V (lux)	3333	1481	833	469



For Field diameter at any distance, multiply distance by 0.87
For Beam diameter at any distance, multiply distance by 0.52

W/V	Candlepower	Field Lumens	Efficacy LPW	Efficiency %
750/230	34,000	9,030	12.0	39.7
750/240	30,000	5,270	7.0	27.2



Lamp code	Watts	Volts	Initial Lumens	Colour Temp.	Average Rated Life (hours)	mf
HPL 750/230	750	230	19,400	3,200°	300	0.90
HPL 750/240	750	240	19,400	3,200°	300	0.90
HPL 575/230	575	230	14,900	3,200°	400	0.76
HPL 575/240	575	240	14,900	3,200°	400	0.76
HPL 575/230X	575	230	11,780	3,050°	1500	0.61
HPL 575/240X	575	240	11,780	3,050°	1500	0.64
HPL 375/230X	375	230	7,800	3,050°	1000	0.38
HPL 375/240X	375	240	7,800	3,050°	1000	0.38

Warning: Use of lamps other than HPL will void CE safety approval and product warranty. Source Four PARnel is rated for 750W maximum.

Note: For illumination with any lamp, multiply the candlepower of a beam spread by the Multiplying Factor (MF) shown for that lamp.

All photometric tests conducted using the Prometric™ measurement system. All data normalised to nominal lamp lumens at rated voltage, using calibrated HPL 750/230V 19,400 and HPL 750/240V 19,400 lumen lamps at their rated voltage.

To determine illumination in footcandles or lux at any throw distance, divide candlepower by distance squared.

Source Four PARnel Weights*

	Luminaire Weight kg	Packed Weight kg	Packed Dimensions mm
PARnel	3.5	5.0	280 x 280 x 410

*Weights and dimensions approximate



Europe Tel: +44 (0)20 8896 1000 • Fax: +44 (0)20 8896 2000
Americas Tel: +1 608 831 4116 • Fax: +1 608 836 1736
Asia Tel: +852 2799 1220 • Fax: +852 2799 9325
Email: mail@etcurope.com • Web: www.etcconnect.com